

SUBMERGED ARC WELDING CARRIAGE - SAM®



The versatility and reliability of the Gullco MOGGY® trackless travel carriage system and a variety of quality engineered components combine to provide a highly flexible self-contained welding unit. This SAM® unit is designed to produce precision, quality Submerged Arc or MIG welds.

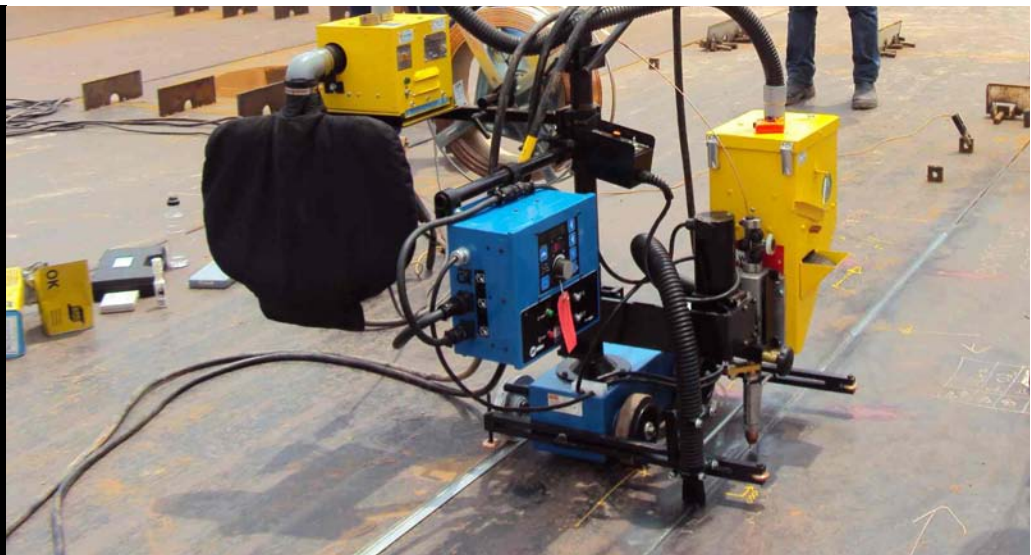
The SAM® Carriage, friction drive heavy-duty welding carriage, with positive chain drive on four (4) rubber tired wheels using a closed loop tack feedback for accurate speed control. The carriage controlled by the Gullco low voltage 24 volt GSP microprocessor pulse width modulation motor control, all mounted in a remote pendant control box attached to 8 ft. (243.84 cm) control cable housing the GSP control providing the forward/stop/reverse switch and infinitely variable 4-turn speed potentiometer. LED display in IPM or cm/min. An interface cable assembly allows the Miller HDC 1500 DX to control the run/stop function of the SAM® Carriage. A manual clutch enables free wheeling. The carriage comes complete with a main mounting mast and handle assembly, mounting arm for one wire reel. All the mounting arms are equipped with quick jaw mast clamp assembly; vertical and horizontal manual 4" x 4" slides (with hardened ground rods with sleeve bearings for ease of adjustment). Control support arm and one (1) set (two[2]) adjustable guide roll arms. For operation on either 42/115/230 volts, single phase, 50/60 Hz AC power supply. Specify voltage when placing order - B = 115 V, C = 230 V.

SAM® Carriage comes in a model for mounting customer's supplied single sub-arc package. Carriage specifications same as Model **GM-02-295**. No welding equipment is supplied.

Automate Submerged Arc Welding Applications

HEAVY DUTY SAM® TRACKLESS WELDING CARRIAGE FOR SUBMERGED ARC AND MIG WELDING

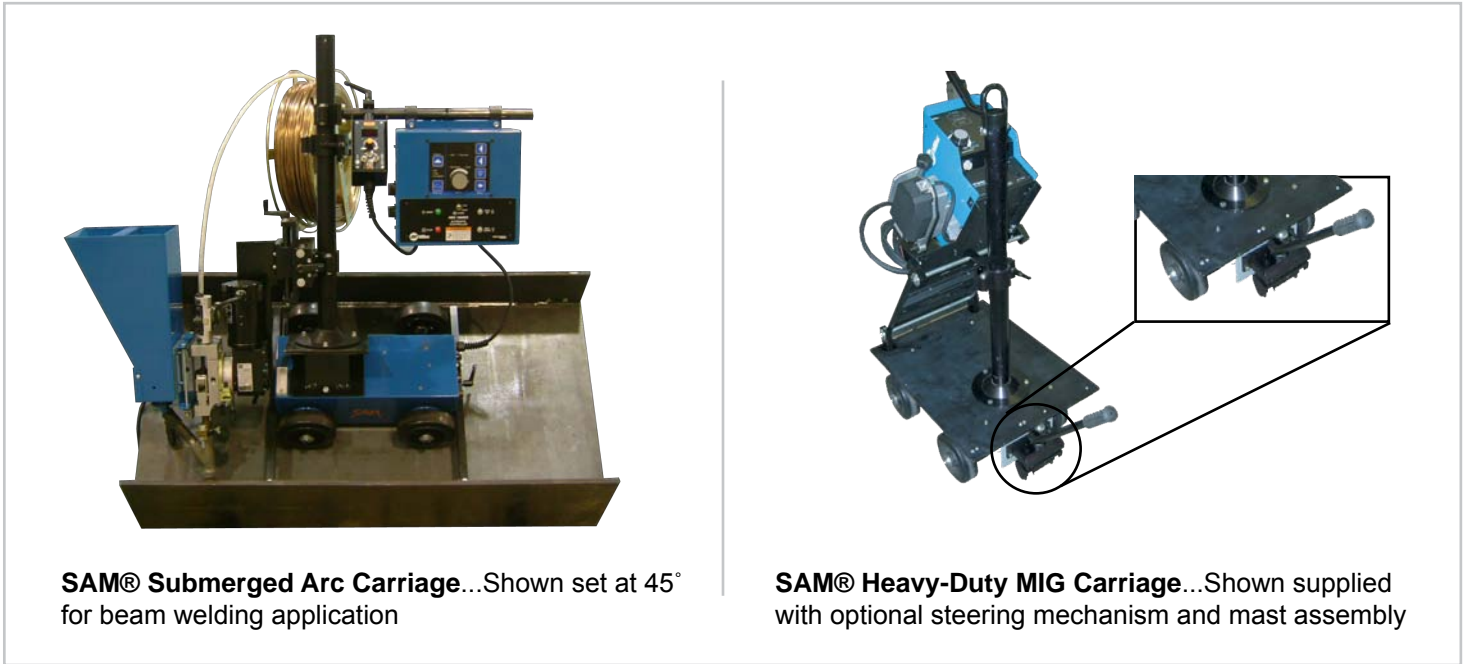
WELDING AND CUTTING



SPECIFICATIONS

GM-02-250 SAM® Heavy-Duty Friction Drive Carriage

The carriage specifications are the same as that of the GM-02-295, but provided with 17" x 22" (43.18 x 55.89 cm) aluminum plate providing full flat mounting surface for customer's supplied wire feeder.



SAM® Submerged Arc Carriage...Shown set at 45° for beam welding application

SAM® Heavy-Duty MIG Carriage...Shown supplied with optional steering mechanism and mast assembly

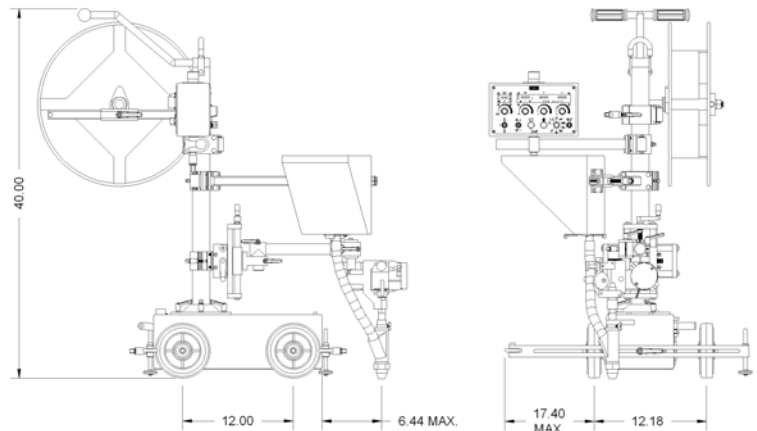
Special track and wheels

-available upon request.

Power Supply: For operation on either 42/115/230 volts, single phase, 50/60 Hz AC.
(Specify voltage when placing order - B = 115 V, C = 230 V).

Speed Range: 4 to 66.1 IPM (10 to 168 cm/min)

Weight: 172 lbs (78 kg)



KAT, KBM, MOGGY, KATBAK & SAM are registered trademarks of Gullco Enterprises Limited

Distributed by:

SPECIFICATIONS ARE SUBJECT TO CHANGE WITHOUT NOTICE. ALL DIMENSIONS ARE NOMINAL

GULLCO

CANADA - GULLCO INTERNATIONAL LIMITED

Phone: 905-953-4140 Fax: 905-953-4138 e-mail: sales@gullco.com

U.S.A - GULLCO INTERNATIONAL INC.

Phone: 440-439-8333 Fax: 440-439-3634 e-mail: ussales@gullco.com

EUROPE - GULLCO INTERNATIONAL (U.K.) LIMITED

Phone: +44 1257-253579 Fax: +44 1257-254629 e-mail: uksales@gullco.com

AUSTRALIA - GULLCO INTERNATIONAL PTY LIMITED

Phone: 61 (0)7 3348 5515 Fax: 61 (0)7 3348 5510 e-mail: ausales@gullco.com

INDIA - GULLCO INTERNATIONAL INDIA PVT LIMITED

Phone: 91-20-6526-0382 Fax: 91-20-2683-6656 e-mail: indsales@gullco.com

CHINA - GULLCO INTERNATIONAL SHANGHAI LIMITED

Phone: +8621-50460341 Fax: +8621-50463554 e-mail: c.zhang@gullco.com

SINGAPORE - GULLCO INTERNATIONAL LIMITED

Phone: +65-9385-4468 e-mail: benny.lim@gullco.com

LATIN AMERICA - GULLCO INTERNATIONAL LIMITED

Phone: 55-11-99485-1336 e-mail: rogerio.macedo@gullco.com

Stuch GmbH & Co. KG Schweisstechnik - GERMANY

Phone: (02 03) 72 94 95 Fax: (02 03) 72 94 96 e-mail: info@stuch-schweisstechnik.de